

Mounting material - RAD-ANT-VAN-MKT - 2885870

Please be informed that the data shown in this PDF Document is generated from our Online Catalog. Please find the complete data in the user's documentation. Our General Terms of Use for Downloads are valid (<http://phoenixcontact.com/download>)




Mounting material for wall mounting of omnidirectional antenna with protection against vandals

Your advantages

- Mounting material for wall mounting



Key Commercial Data

Packing unit	1 pc
GTIN	 4 046356 126106
GTIN	4046356126106
Weight per Piece (excluding packing)	211.400 g
Custom tariff number	73269098
Country of origin	Germany

Technical data

Dimensions

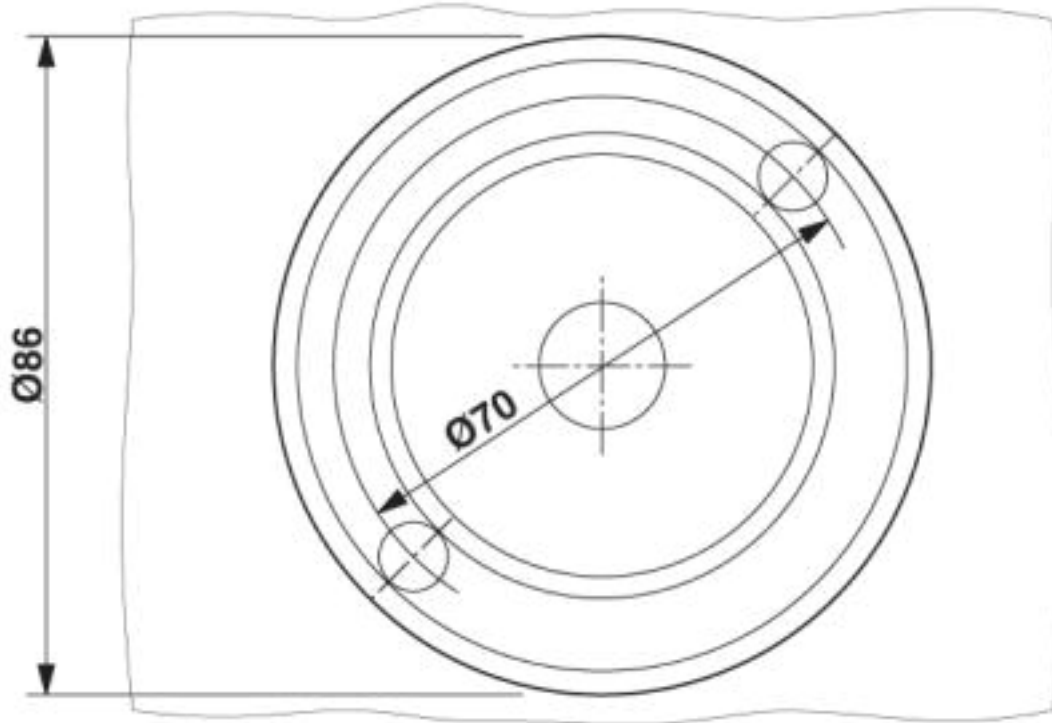
Environmental Product Compliance

China RoHS	Environmentally friendly use period: unlimited = EFUP-e
	No hazardous substances above threshold values

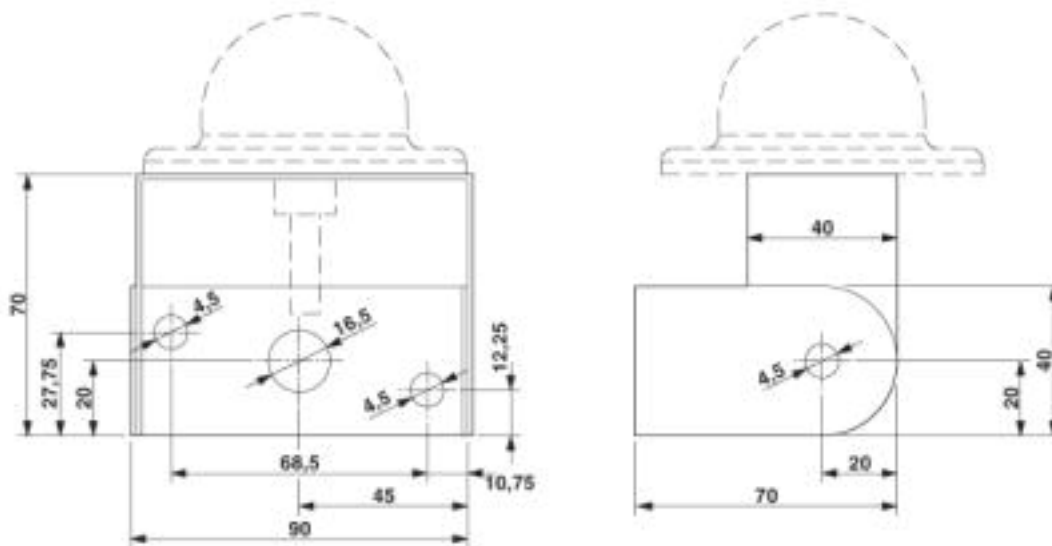
Drawings

Mounting material - RAD-ANT-VAN-MKT - 2885870

Drilling diagram



Dimensional drawing



Mounting material - RAD-ANT-VAN-MKT - 2885870

Classifications

eCl@ss

eCl@ss 4.0	27250300
eCl@ss 4.1	27250300
eCl@ss 5.0	19070100
eCl@ss 5.1	19070100
eCl@ss 6.0	19179200
eCl@ss 7.0	19179290
eCl@ss 8.0	19179290
eCl@ss 9.0	27379201

ETIM

ETIM 2.0	EC000416
ETIM 3.0	EC001698
ETIM 4.0	EC001698
ETIM 5.0	EC002608
ETIM 6.0	EC000310
ETIM 7.0	EC000310

UNSPSC

UNSPSC 6.01	43171611
UNSPSC 7.0901	43221706
UNSPSC 11	43171611
UNSPSC 12.01	43221706
UNSPSC 13.2	43222604

Accessories

Accessories

Antenna

Antenna - RAD-ISM-2400-ANT-VAN- 3-1-MCX - 2885702



Omnidirectional antenna with protection against vandalism, 2.4 GHz, gain: 3 dBi, polarization: linear, opening angle: h/v 360°/85°, degree of protection: IP55, connection: MCX (male), for control cabinet mounting (optional wall mounting), incl. 1.5 m / 5 ft. connecting cable

Mounting material - RAD-ANT-VAN-MKT - 2885870

Accessories

Antenna - RAD-ISM-2400-ANT-VAN- 3-0-SMA - 2885867



Omnidirectional antenna with protection against vandalism, 2.4 GHz, gain: 3 dBi, polarization: linear, opening angle: h/v 360°/85°, degree of protection: IP55, connection: SMA (male), for control cabinet mounting (optional wall mounting), incl. 1.5 m / 5 ft. connecting cable

Antenna - RAD-ISM-2400-ANT-VAN-3-0-RSMA - 2701358



Omnidirectional antenna with protection against vandalism, 2.4 GHz, gain: 3 dBi, polarization: linear, opening angle: h/v 360°/85°, degree of protection: IP55, connection: RSMA (male), for control cabinet mounting (optional wall mounting), incl. 1.5 m / 5 ft. connecting cable
